

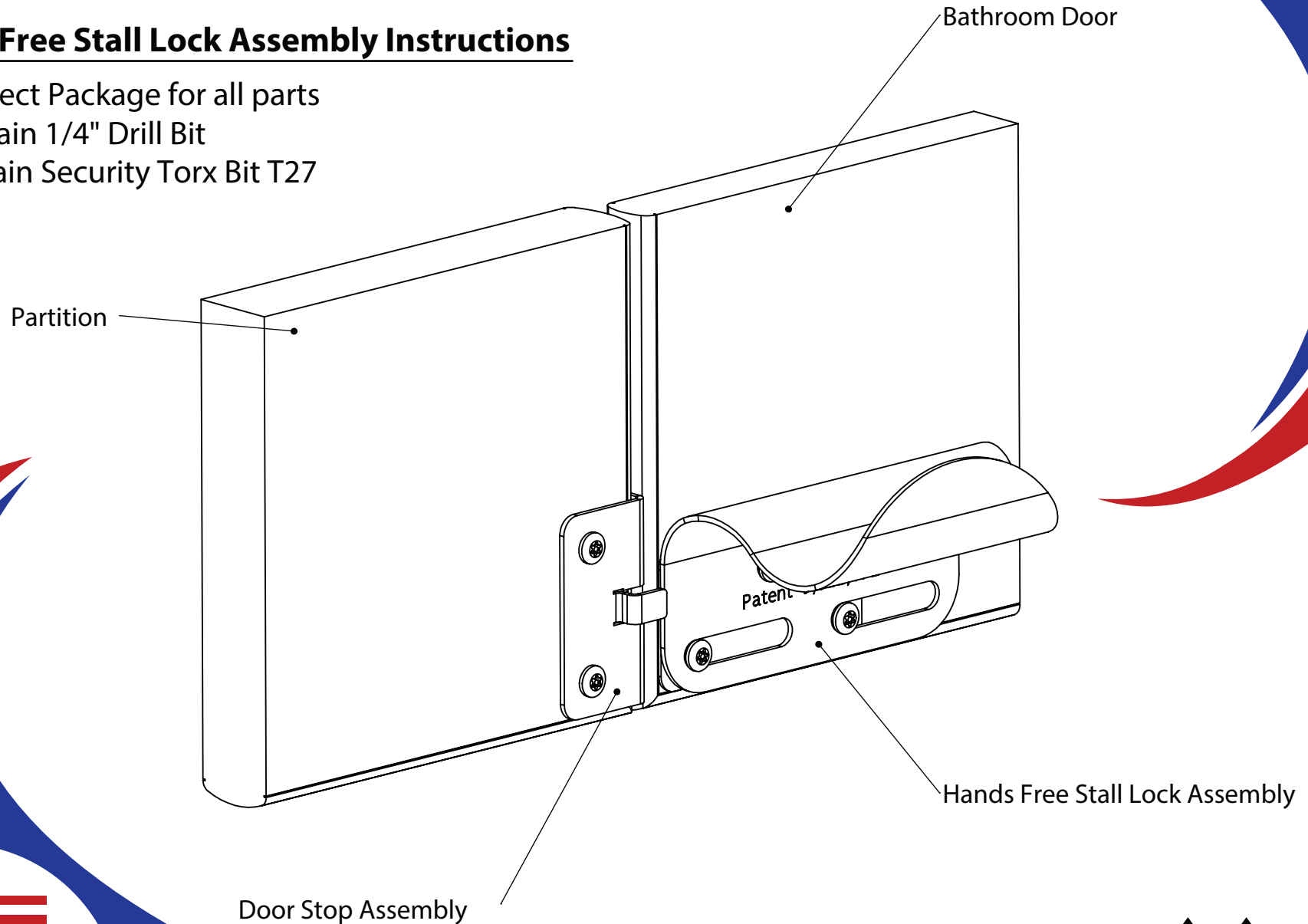
# Hands Free Stall Lock

doorwave



## Hands Free Stall Lock Assembly Instructions

- 1a) Inspect Package for all parts
- 1b) Obtain 1/4" Drill Bit
- 1c) Obtain Security Torx Bit T27



PH: 877-801-8240  
sales@askmonroe.com  
HandsFreeDoorPull.com



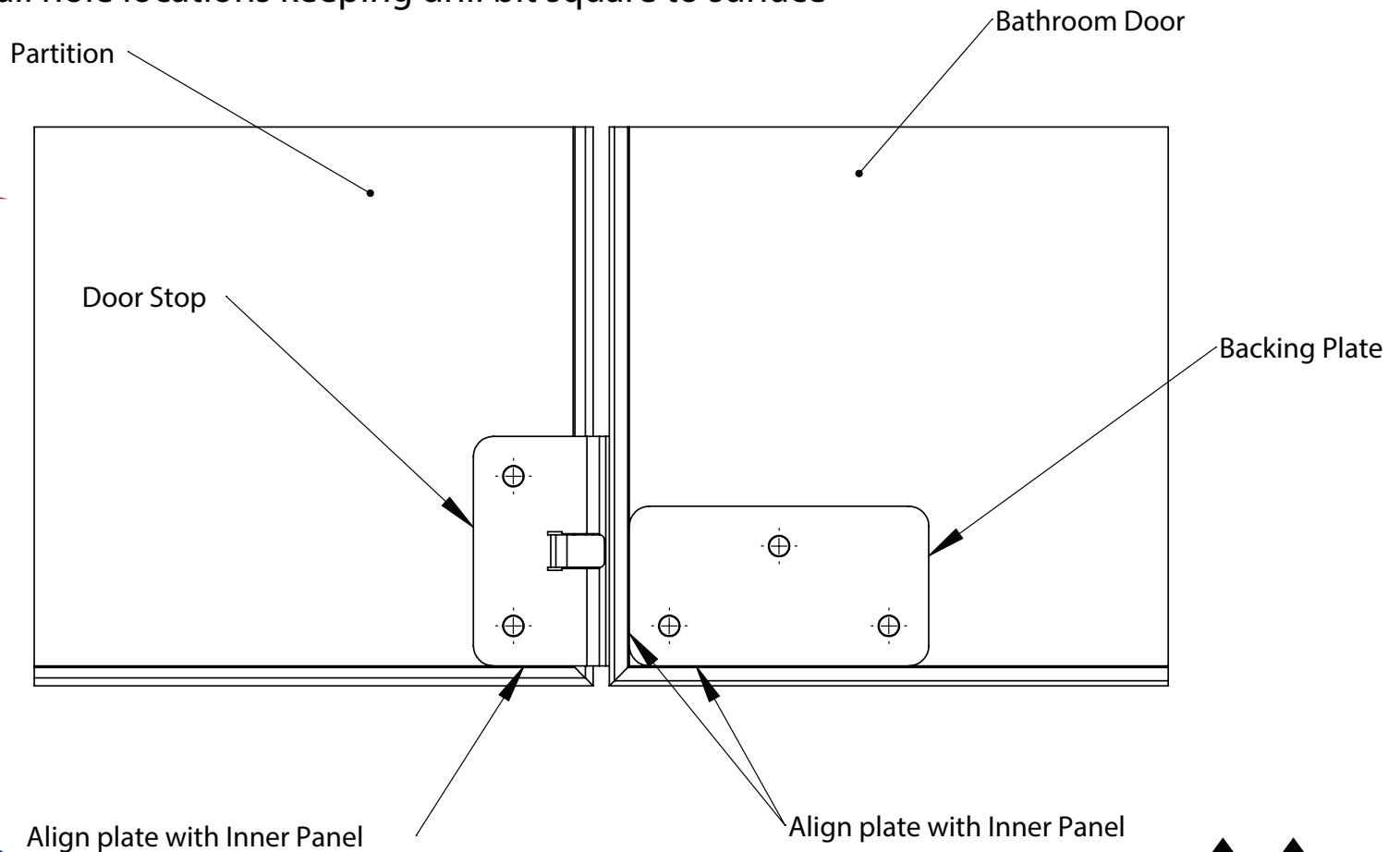
# Hands Free Stall Lock

doorwave



## Hands Free Stall Lock Assembly Instructions (Step 2)

- 2a) Locate Backing Plate flush with Door Inner Panel edges and clamp into place
- 2b) Mark the three hole centers using Backing Plate as a template
- 2c) Locate Door Stop flush with Partition Inner Panel and clamp into place
- 2d) Mark the two hole centers using Door Stop as a template
- 2e) Drill 1/4" holes at all hole locations keeping drill bit square to surface



PH: 877-801-8240  
sales@askmonroe.com  
HandsFreeDoorPull.com



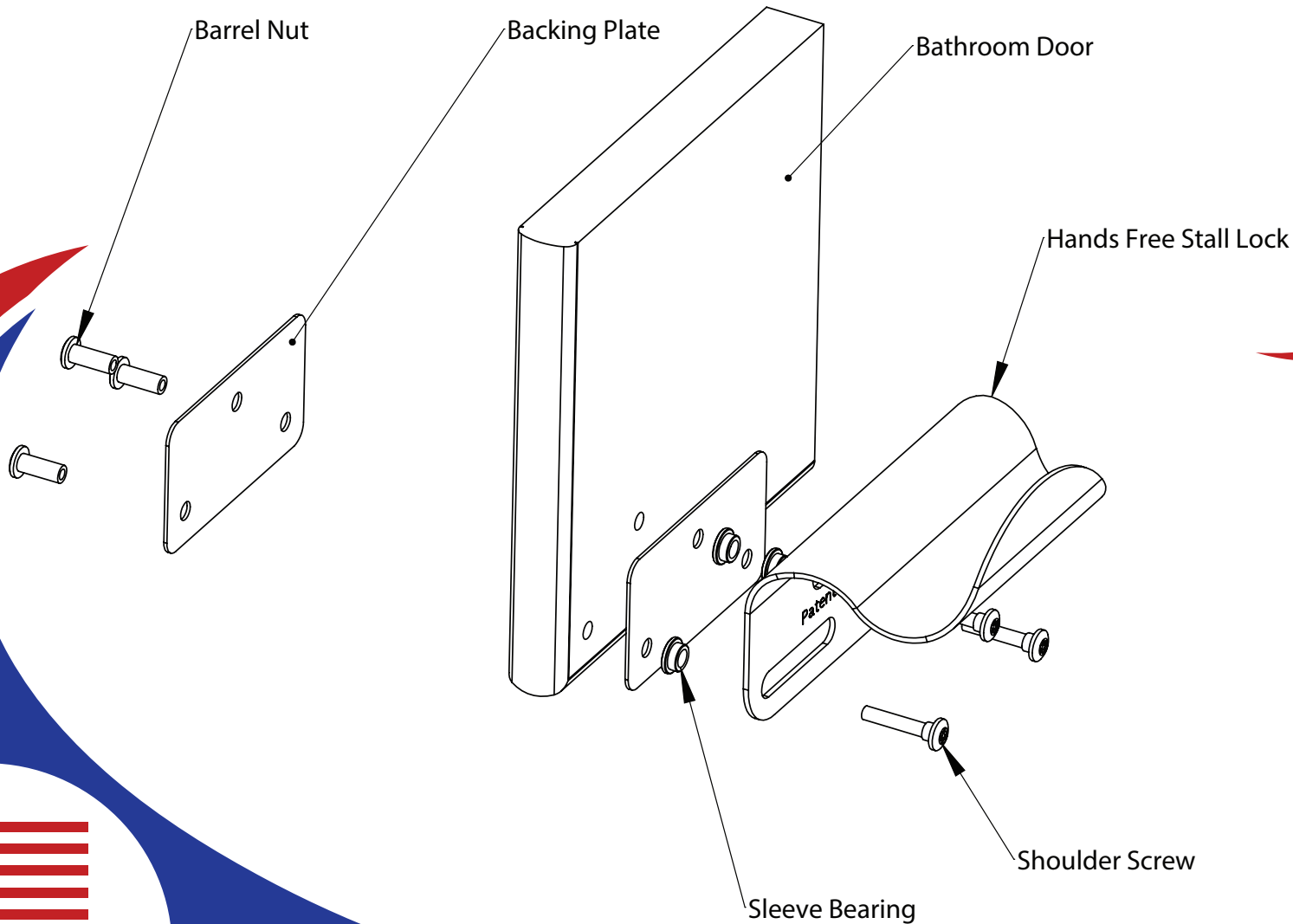
# Hands Free Stall Lock

doorwave



## Hands Free Stall Lock Assembly Instructions (Step 3)

- 3a) Assemble Backing Plates, Sleeve Bearings, Hands Free Stall Lock and Hardware as shown
- 3b) Hand-tighten fasteners using a security T27 Torx bit



PH: 877-801-8240  
sales@askmonroe.com  
HandsFreeDoorPull.com



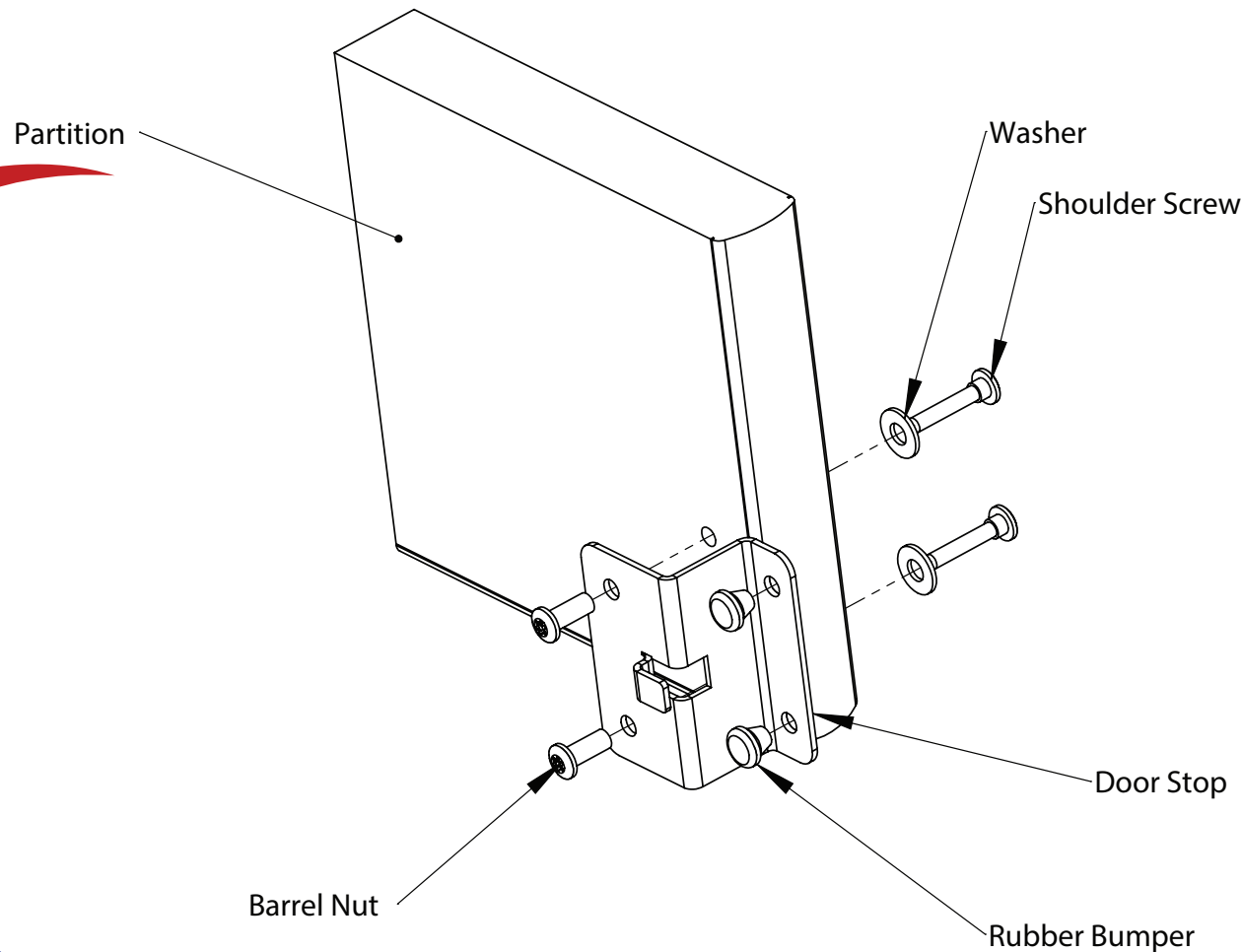
# Hands Free Stall Lock

doorwave



## Hands Free Stall Lock Assembly Instructions (Step 4)

- 4a) Assemble Door Stop and Hardware to Partition as shown
- 4b) Hand-tighten fasteners using a security T27 Torx bit
- 4c) Insert Rubber Bumpers into holes provided on Door Stop to adjust fit, if required



**MADE IN USA**  
Lifetime Guarantee

PH: 877-801-8240  
sales@askmonroe.com  
HandsFreeDoorPull.com

